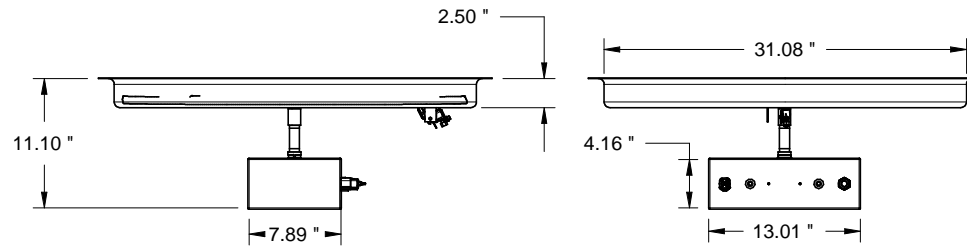
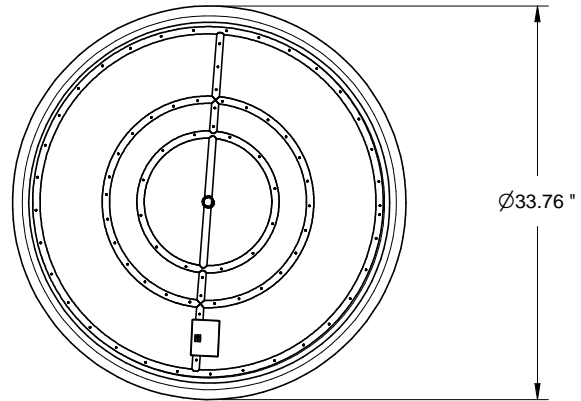



REVISIONS				
ZONE	REV	DESCRIPTION	DATE	APPROVED



<p>All dimensions are for reference only please allow 2 inches of space on all sides of valve box for clearance Pan, pipe, and valve box are 16 ga 304 Stainless Steel. Burner ring is 216 Stainless Steel.</p>	DRAWN	DATE	 Hearth Products Controls Co 31SS300HSI			
	Tom Hapner	11/05/08				
	CHECKED					
	QA		SIZE	FSCM NO.	DWG NO.	REV
	MFG		A		ref 1017	
APPROVED		SCALE			SHEET	