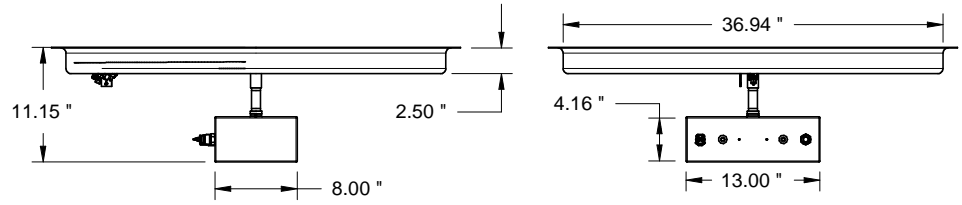
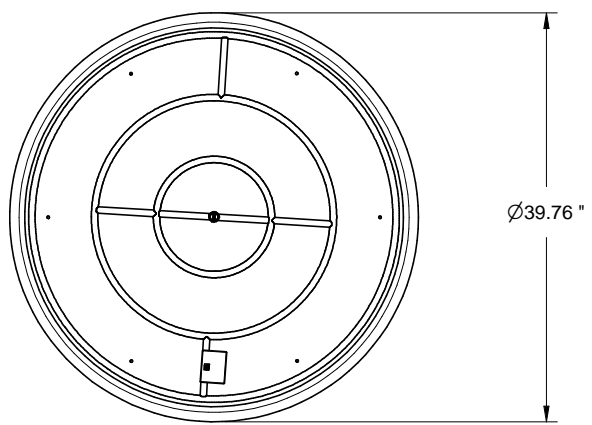


REVISIONS				
ZONE	REV	DESCRIPTION	DATE	APPROVED



All dimensions are for reference only please allow 2 inches of space on all sides of valve box for clearance. Pan, pipe, and valve box are 16 ga 304 Stainless Steel. Burner ring is 216 Stainless Steel.

DRAWN Tom Hapner	DATE 10/7/08
CHECKED	
QA	
MFG	
APPROVED	

 <b>Hearth Products Controls Co</b>			
<b>37SS300HSI</b>			
SIZE <b>A</b>	FSCM NO.	DWG NO. Ref 1003	REV
SCALE			SHEET