

PRODUCT SPECIFICATIONS
500BUF Vent Free Firebox



MINIMUM HEARTH DIMENSIONS

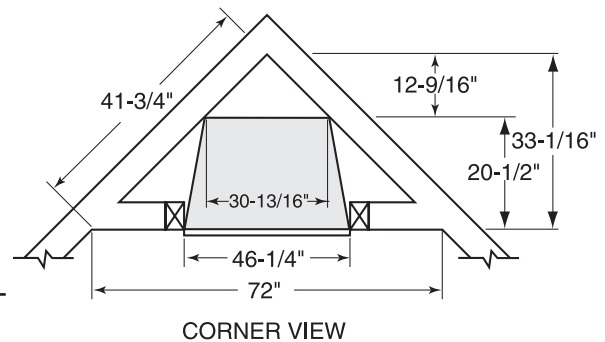
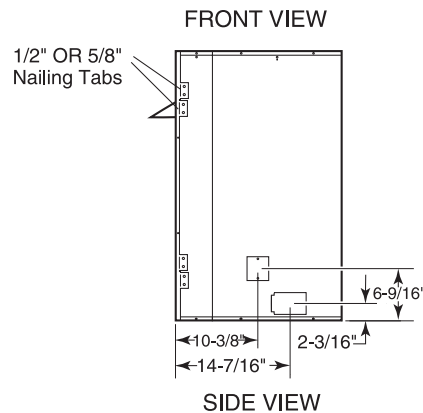
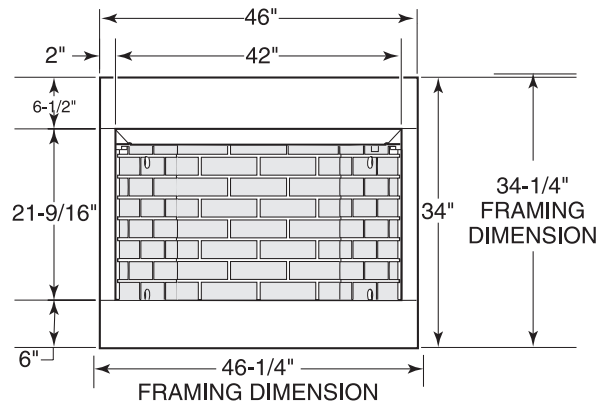
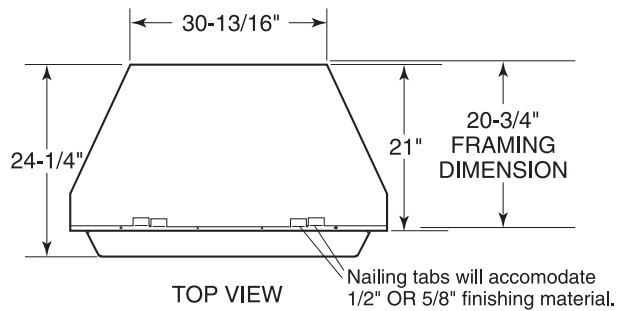
Front opening width: 41-1/2"
 Front opening height: 21-1/2"
 Rear wall width: 20-3/8"
 Firebox depth: 17"

TECHNICAL INFORMATION

Clearance to Fireplace: Zero
 CSA Design Certified

FIELD INSTALLED ACCESSORIES

200 CFM Blower Kit: FA2A
 Outside air kit: AK4



A Brand of Monessen Hearth Systems Co.
 149 Cleveland Drive, Paris, Kentucky 40361
www.majesticproducts.com



To avoid personal injury or property damage, the product described by this brochure must be installed, operated and maintained in strict compliance with the instructions packaged with the product and all applicable building or fire codes. Contact local building or fire officials about restrictions and installation inspection requirements. All photographs and drawings on this brochure are for illustrative purposes only and are not intended for, nor should they be used as a substitute for the instructions packaged with the unit. Appearance and specifications of the product are subject to change without notice. 04/09